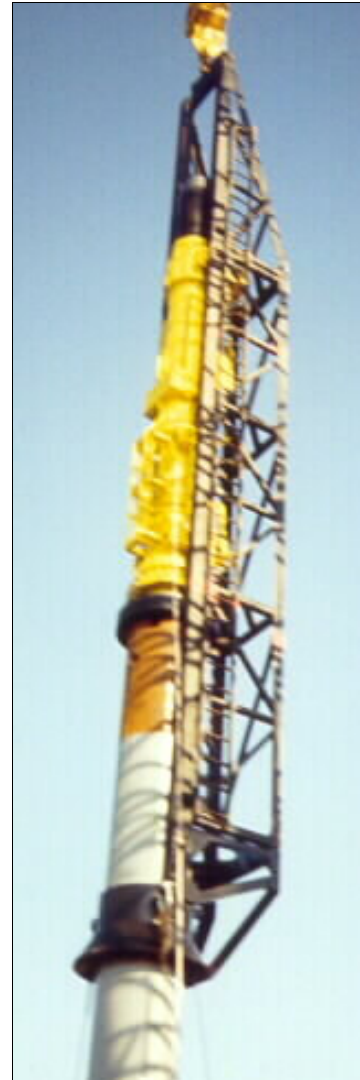


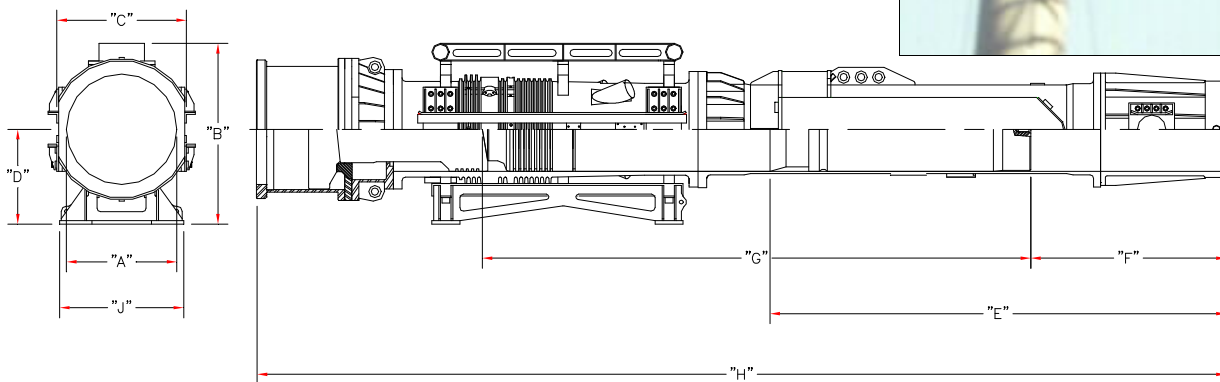
B-6005 General Specifications

| Performance | | |
|-----------------------------|---------------|-----------------|
| Ram Weight X Max. Stroke | 156,400 ft•lb | 212 kN•m |
| Impact energy | 100,100 ft•lb | 136 kN•m |
| Ram weight/mass | 13,640 lb | 6,000 kg |
| Maximum ram stroke | 11.5 ft | 3.5 m |
| Impact block weight/mass | 3,750 lbs | 1,740 kg |
| Blows per minute | 35-60 | 35-60 |
| Operating Weight | | |
| Total operating weight/mass | 37,090 lb | 16,833 kg |
| Weight of tool box | 150 lb | 68 kg |
| Total shipping weight/mass | 37,240 lb | 16,091 kg |
| Capacity | | |
| Fuel tank capacity | 45 gal (U.S) | 170 liters |
| Fuel consumption | 3 gal/hour | 11.3 liters/hr. |
| Oil tank capacity | 9.5 gal (U.S) | 36 liters |
| Oil consumption | 0.48 gal/hr | 1.7 liters/hr. |



Impact Hammers B-6005

Dimensional Specifications

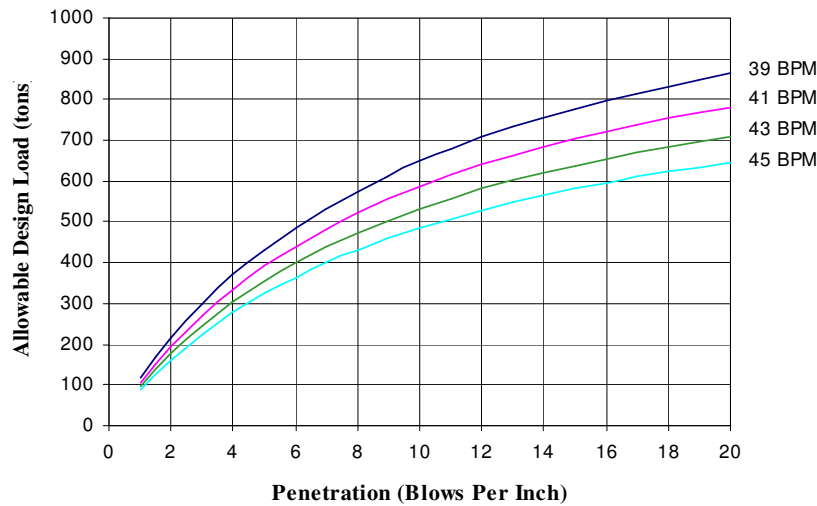


| Dimensions | | Model B-6005 | | | | | | | |
|-------------------|----------|---------------------|----------|----------|----------|----------|----------|----------|----------|
| Units | A | B | C | D | E | F | G | H | J |
| Imperial | 31.5 in | 51.5 in | 37 in | 27 in | 130.3 in | 55.8 in | 156.6 in | 277 in | 35.5 in |
| Metric | 800 mm | 1308 mm | 940 mm | 686 mm | 3310 mm | 1417 mm | 3978 mm | 7036 mm | 902 mm |

| B-6005 13640 lb Piston | | | | | |
|-------------------------------|-------------|--------------------------|-----------------|-----------------------------|-----------------------|
| BPM | Stroke (ft) | Potential Energy (ft.lb) | Velocity (ft/s) | Maximum Impact Force (tons) | Impact Energy (ft.lb) |
| 35 | 11.8 | 161,000 | 22.5 | 1108 | 112,700 |
| 36 | 11.2 | 152,800 | 22.0 | 1083 | 106,400 |
| 37 | 10.6 | 144,600 | 21.5 | 1059 | 100,100 |
| 38 | 10.0 | 136,400 | 21.0 | 1034 | 93,900 |
| 39 | 9.5 | 129,600 | 20.5 | 1009 | 88,800 |
| 40 | 9.0 | 122,800 | 20.0 | 985 | 83,800 |
| 41 | 8.6 | 117,300 | 19.5 | 961 | 79,700 |
| 42 | 8.2 | 111,800 | 19.0 | 936 | 75,700 |
| 43 | 7.8 | 106,400 | 18.5 | 911 | 71,800 |
| 44 | 7.5 | 102,300 | 18.0 | 887 | 68,800 |
| 45 | 7.1 | 96,800 | 17.5 | 862 | 64,900 |

Stroke height is a function of soil resistance and may not be attainable in certain driving conditions.
 Standard Operating Range.

Pile Capacity (from Engineering News Formula)



WEAP Input Data

| Ram | | | Stroke | | | | |
|--|------------------------|-----------------------|----------|---------------------|------------|-----------------------|-----------------------|
| Weight | Length | Diameter | Minimum | Maximum | Efficiency | | |
| 13.64 Kips | 103 in | 23.5 in | 4.00 | 11.80 ft | 0.800 | | |
| Impact Block Information | | | | | | | |
| Weight | Length | Diameter | C.o.R | RoundOut | | | |
| 3.75 Kips | 43 in | 19.0 in | 0.900 | 0.0100 | | | |
| Diesel Hammer Combustion Chamber Information | | | | | | | |
| Combustion Chamber Inf. | | Combustion | | | A I Volume | | |
| C-Stroke | Area | Volume | Delay | Duration | ExpCoef | Ignition | Fin.Comb |
| 13.05 in | 452.40 in ² | 482.3 in ³ | 0.000 | 0.000 | 1.250 | 530.7 in ³ | 562.7 in ³ |
| Atmosphere | FS 1 | FS 2 | FS 3 | FS 4 | FS 5 | Coeff Conf | |
| 14.7 psi | 1400 psi | 1300 psi | 1200 psi | 1100 psi | 1000 psi | 1.0 | |
| Helmet And Hammer Cushion Properties | | | | | | | |
| Helmet | | Hammer Cushion | | | | | |
| Weight | Material | WEAP Input | CoR | Cushion Area | Thickness | | |
| 6.00 Kips | Steel | 30000 ksi | 0.70 | 424 in ² | 6.0 in | | |