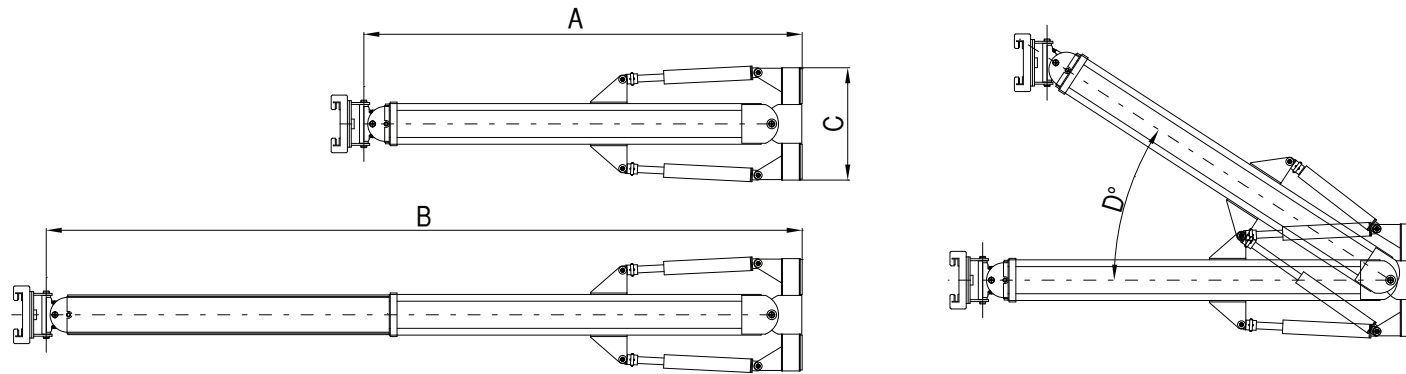


Bermingham Hydraulic Spotters



	2-STAGE				2-STAGE HIGH TORQUE			3-STAGE		3-STAGE HEAVY DUTY	
	HHH-12	HHH-14	HHH-16	HHH-18	BK2-1218HT	BK2-1524HT	BK2-2031HT	BK3-1428	BK3-1840	BK3-1941HD	BK3-2456HD
Retracted Length "A"	14' 11" (4.55m)	16' 11" (5.16m)	18' 11" (5.77m)	20' 10" (6.35m)	12' 0" (3.66m)	15' 0" (4.57m)	20' 1" (6.12m)	13' 5" (4.09m)	17' 5" (5.31m)	18' 5" (5.61m)	23' 5" (7.14m)
Extended Length "B"	24' 8" (7.52m)	28' 8" (8.74m)	32' 7" (9.93m)	36' 7" (11.15m)	18' 0" (5.49m)	24' 0" (7.32m)	31' 6" (9.60m)	28' 2" (8.59m)	40' 2" (12.24m)	41' 2" (12.55m)	56' 2" (17.12m)
Heel Width "C"	58" (1.47m)	58" (1.47m)	58" (1.47m)	93" (2.36m)	58" (1.47m)	90" (2.29m)	97" (2.46m)	58" (1.47m)	58" (1.47m)	90" (2.29m)	90" (2.29m)
Max. Slewing Angle "D"	30°	30°	30°	30°	20° *	20° *	20° *	10°	10°	20° *	20° *
Max. Torque **	80,000 ft-lbs (108.5 kNm)	80,000 ft-lbs (108.5 kNm)	80,000 ft-lbs (108.5 kNm)	80,000 ft-lbs (108.5 kNm)	250,000 ft-lbs (339 kNm)	250,000 ft-lbs (339 kNm)	350,000 ft-lbs (474.5 kNm)	40,000 ft-lbs (54.2 kNm)	40,000 ft-lbs (54.2 kNm)	80,000 ft-lbs (108.5 kNm)	80,000 ft-lbs (108.5 kNm)
Weight	5250lb (2380kg)	5650lb (2560kg)	6100lb (2770kg)	7050lb (3200kg)	6050lb (2750kg)	7050lb (3200kg)	10500lb (4760kg)	6000lb (2720kg)	7100lb (3220kg)	10700lb (4850kg)	12950lb (5870kg)
Notes	Standard Spotter Light-to-Medium Drilling				High Torque Drilling			Larger Range of In/Out Systems with a Large Range of In/Out Batters		Large Range of In/Out Heavy Duty Frames for Drilling or On Barges with Side Loading	

Note: Custom spotters available upon request.

* No equalizing

** To achieve maximum torque values, additional components are required.

