

RC STRING

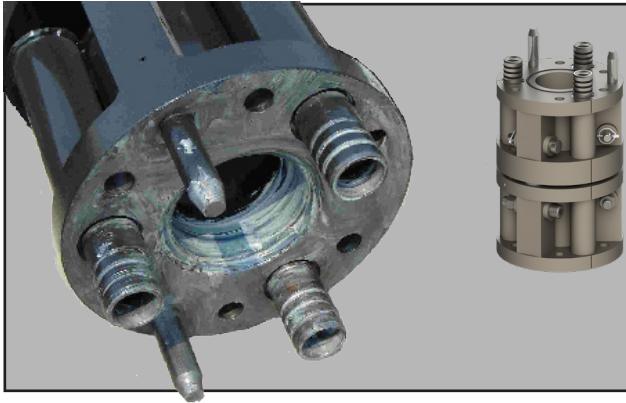
BERMINGHAMMER
FOUNDATION EQUIPMENT



Reverse Circulation Drill String

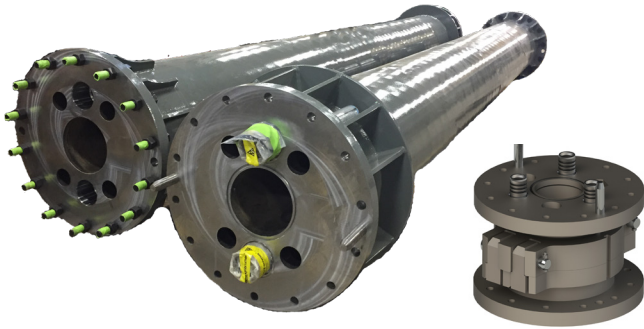
Used with both the BRC75 and RC Swivel, Berminghammer's drill string is the most durable and multi-versatile drill string in the industry. Multiple inlets allow drillers to easily alter drilling methodologies from exclusively air drilling to mixing in water and drilling foams. Large center passages allow for greater cutting volumes to be evacuated. Utilizing an 11' (3.35m) cluster bit, Berminghammer DS24 drilled rock depths of 210' (64m) with an RCS36 Swivel.

✦ Specs



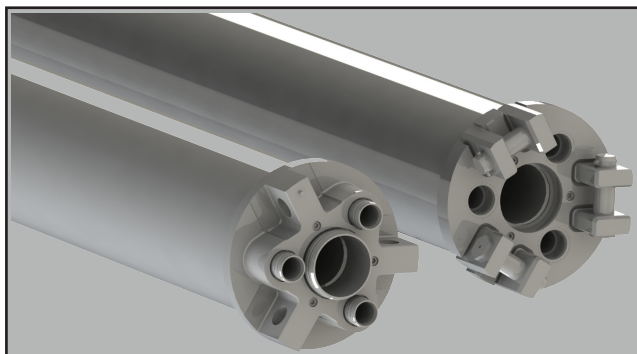
DS18 Flangeless

Average Weight	225	lb/ft	335	kg/m
Max Torque	80,000	ft lbs	110	kNm
Max Pullout	50	ton	500	kN
Center Passage ID	7	in	178	mm
Max Outer Diameter	18.5	in	470	mm
Quick Disconnect	18.5	in	470	mm
Max Air	4,000	CFM	113	m3/min



DS20 External Flange

Average Weight	250	lb/ft	372	kg/m
Max Torque	250,000	ft lbs	340	kNm
Max Pullout	120	ton	1,200	kN
Center Passage ID	8	in	203	mm
Max Outer Diameter	26	in	660	mm
Quick Disconnect	27.5	in	699	mm
Max Air	5,000	CFM	141	m3/min



DS22 Integrated Quick Disconnect

Average Weight	225	lb/ft	335	kg/m
Max Torque	210,000	ft lbs	285	kNm
Max Pullout	150	ton	1,500	kN
Center Passage ID	7	in	178	mm
Max Outer Diameter	21.5	in	546	mm
Max Air	5,000	CFM	141	m3/min



DS24 External Flange

Average Weight	270	lb/ft	402	kg/m
Max Torque	300,000	ft lbs	405	kNm
Max Pullout	200	ton	1,992	kN
Center Passage ID	9.75	in	248	mm
Max Outer Diameter	32	in	813	mm
Quick Disconnect	32	in	813	mm
Max Air	7,000	CFM	198	m3/min